

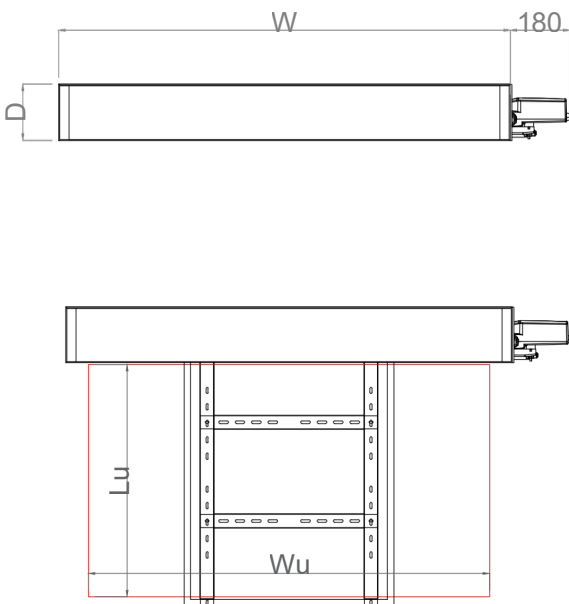
ULISSE

TECHNICAL SHEET

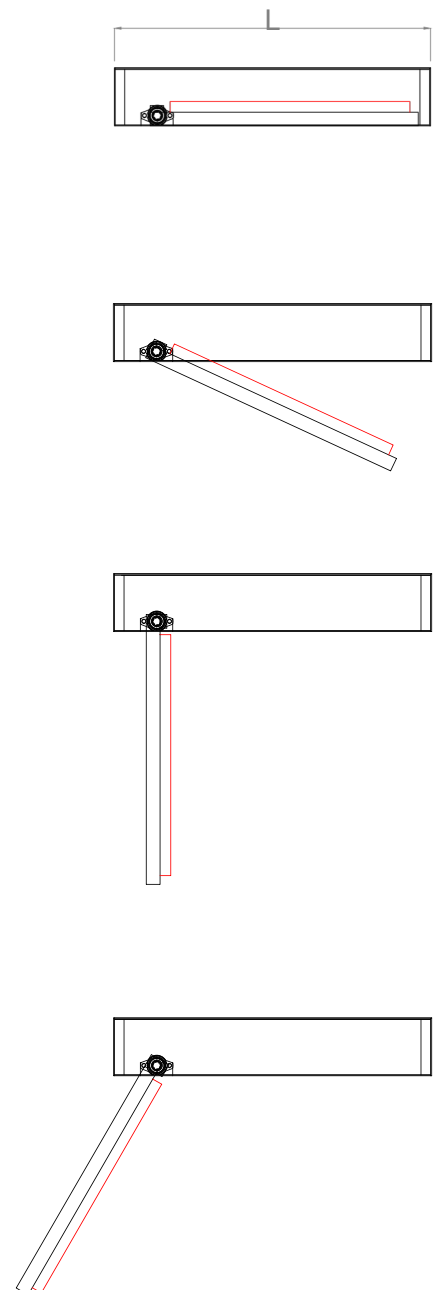


Our Ulisse series ceiling TV lifts are equipped with a motorized tilting mechanism with an opening angle of up to 120°

FRONT VIEW



SECTIONAL VIEW



Our Ulisse series ceiling TV lifts are an innovative solution that maximizes the often-underused ceiling space, making them ideal for the nautical sector. Equipped with a motorized tilting mechanism, the system allows the TV to be tilted up to 120°, providing optimal viewing angles while maintaining a sleek, space-saving design. Perfect for yachts and boats, this lift system ensures that entertainment can be seamlessly integrated into the vessel's interior, making the most of limited space without sacrificing comfort or style.

DIMENSIONS:

- Depth increased to 170mm to allow the installation of an inspection window on the motor.
Depths lower than 170mm are available upon request, but without the inspection window.

MODEL	TV	VESA Attack	WIDTH W (mm)	LENGTH L (mm)	DEPTH P (mm)	USEFUL SPACE FOR TV (L _u xW _u)mm
Ulisse 32	32"	200 300 400	906	696	170	493X794
Ulisse 42	42"	200 300 400	1112	797	170	595X1000
Ulisse 50	50"	200 300 400	1262	862	170	660X1150
Ulisse 55	55"	200 300 400	1362	932	170	730x1250
Ulisse 60	60"	200 300 400	1512	1042	170	840x1400
Ulisse 65	65"	200 300 400	1612	1102	170	900x1500

Ask for other dimensions

THE KIT CONSISTS OF THE FOLLOWING COMPONENTS:

- n.1 Motorized ceiling tv lift,
 - with tilting opening up to 120°
- n.1 Control board 24V
- n.1 Radio receiver
- n.1 Radiocontrol
- n.1 Power supply
110-240v 50/60Hz